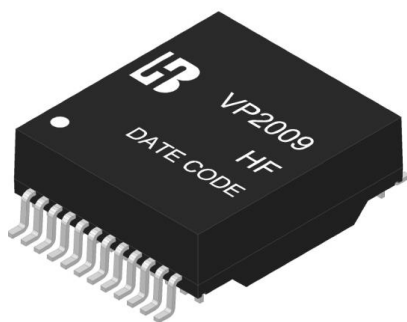


Feature



- IEEE 802.3af/ANSI X3.263 complying performance.
- Designed for IP phone or switch applications.
- Compact footprint.
- The model offer Auto MDIX capability.
- Complying with ROHS & Halogen Free requirements.
- Operating temperature range : 0°C to +70°C.
- Storage temperature range: -25°C to +85°C.

Electrical Specifications @ 25°C

Part Number	Turns Ratio (±5%)		OCL (uH Min) @100KHz/100mV with 8mA DC Bias	L.L (uH Max)	C _{ww} (pF Max)	DCR (Ω Max)	HI-POT
	TX	RX					
VP2009 HF	1CT: 1	1CT: 1	350	0.5	28	1.0	AC1500V/1mA

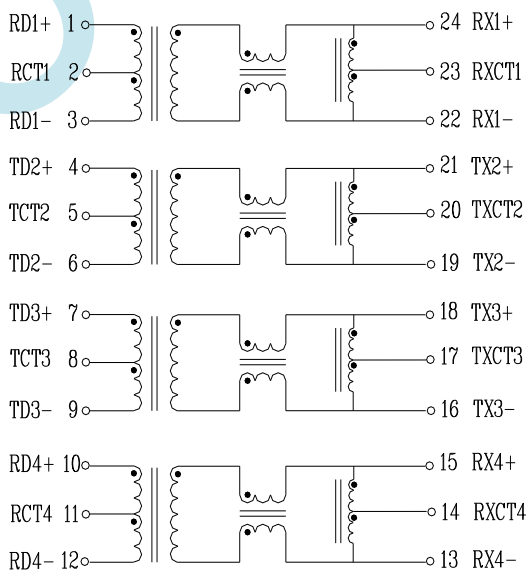
Continue

Part Number	Insertion Loss (dB Max)	Return Loss (dB Min) @ Load 100Ω				
		1-100MHz	1-30MHz	40MHz	50MHz	60-80MHz
VP2009 HF	-1.1	-18	-16	-14.08	-12.5	-10

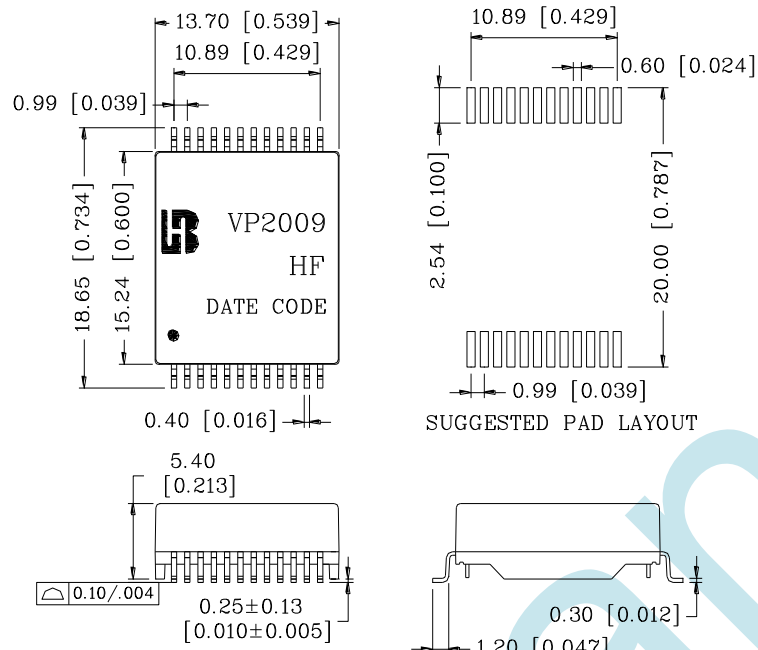
Continue

Part Number	Cross talk (dB Min)			DCMR (dB Min)		
	30MHz	60MHz	100MHz	30MHz	60MHz	100MHz
VP2009 HF	-43	-37	-33	-43	-37	-33

Schematic



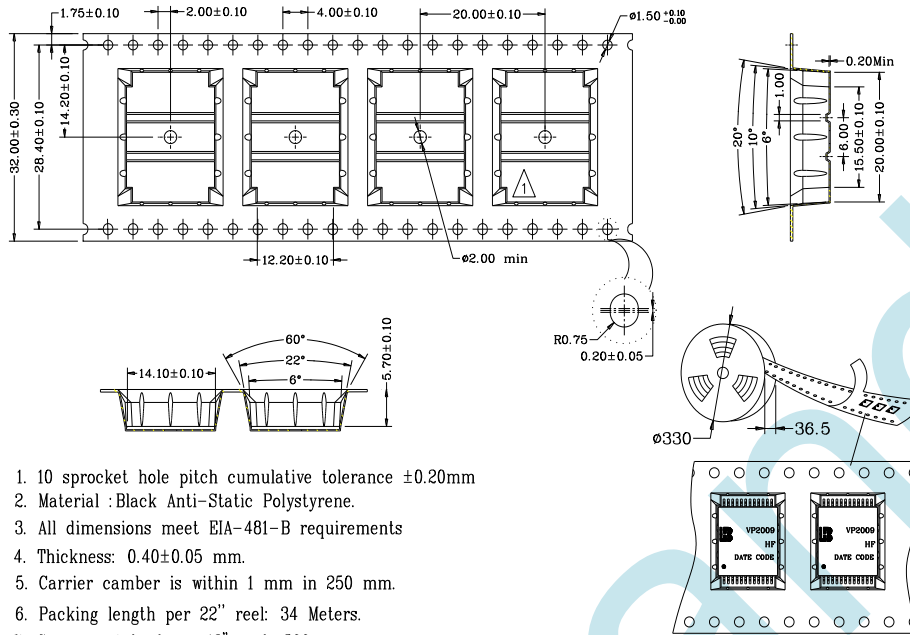
Mechanical



Units: mm[Inches] Tolerances: xx.xx±0.25[0.010]
0.xx±0.05[0.002]

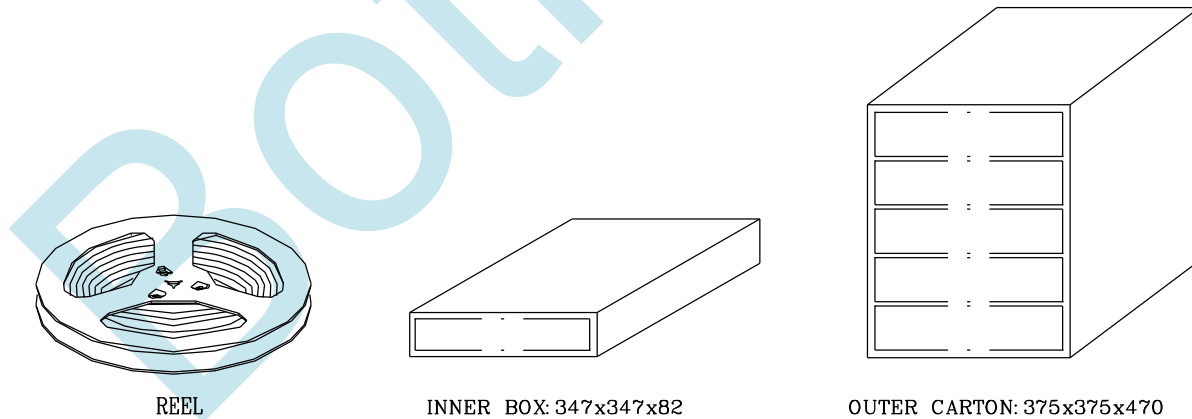
Bothhand

REEL PACKAGE



1. 10 sprocket hole pitch cumulative tolerance $\pm 0.20\text{mm}$
2. Material : Black Anti-Static Polystyrene.
3. All dimensions meet EIA-481-B requirements
4. Thickness: 0.40 ± 0.05 mm.
5. Carrier camber is within 1 mm in 250 mm.
6. Packing length per 22" reel: 34 Meters.
7. Component load per 13" reel : 500 pcs
8. comply with Bothhand's <BHKP-WI-44-005> requirements

CARTON PACKAGE



REEL

INNER BOX: 347x347x82

OUTER CARTON: 375x375x470

1. 1 Reel=500PCS
2. 1 INNER BOX=1 Reel=500 PCS
3. 1 OUTER CARTON=5 INNER BOX=5*500=2500 PCS